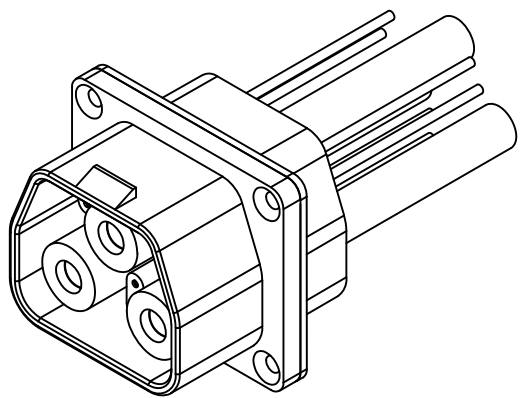
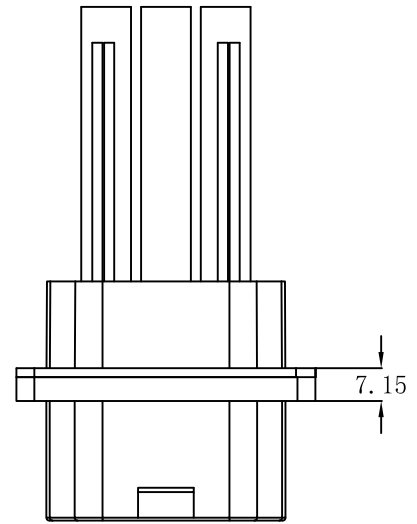
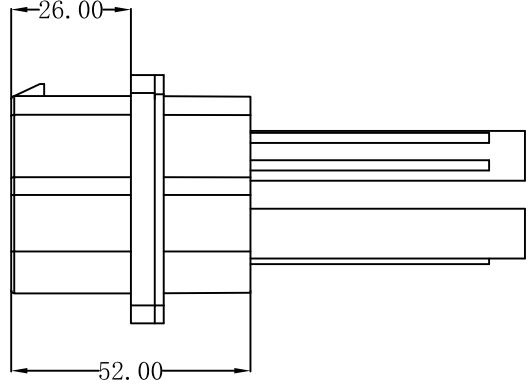
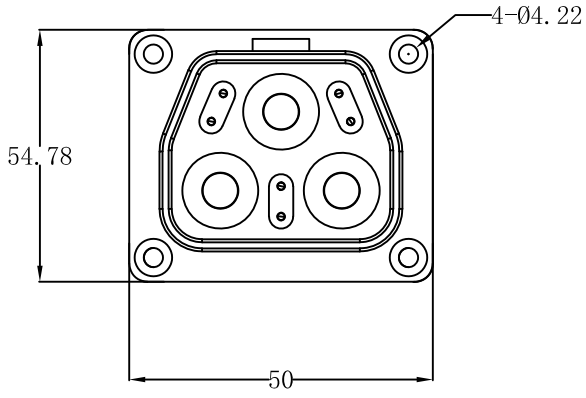


C/N: HLK P/C:HLK-536 P/N:HLK-536 CUSTOMER REV: APPROVED BY:

REVISIONS			
REV.	DESCRIPTION	DATE	SIGNATURE
△			
△			
△			



SPECIFICATION	
Rated Operating Voltage	DC 120V
Rated Current	5PIN*2A+2PIN*80A
Peak Current	N/A
Insulation Resistance	500MΩ/120V DC
Withstand Voltage/AC	2500V Power/1500VSignal
Durability	5000 Cycles
IP Rating	Mated:IP67 Unmated:N/A
Salt Spray	5% NaCl, 48H
Flame Class	UL94 V-0 (Materials)
Operating Temperature	-40°C~105°C
UV Resistance Grade	N/A
Mating Part No	HLK-535
Maximum Cable Range	OD≤25mm

TERMS OF BUSINESS	
MOQ	1PCS
Lead Time	1-2 Weeks
HS Code	8544422100
Warrenty	1 Year
Terms of Payment	T/T 100%
Terms of Shipment	EX Works

UNMARED TOLERANCE DEFINATION	
0~5	±0.2
5~15	±0.3
15~30	±0.5
30~100	±0.8
100~300	±1.0
300~1000	±1.2

SIGNATURE	
ENGINEER BY:	Li NingNing
MANAGER BY:	John Han
CHECKED BY:	David Wang
SEALES BY:	Eleven Wang

HONLIX[®] HONLIX INC.
HTTP://WWW.HONLIX.COM

PRODUCT NO:HLK-536 DATE: 2024.11.19

UNIT: mm SHEET: 1 OF 1 REV. 0

H/C: HLK-536

NO.	ITEM	DESCRIPTION	QTY
①	HLK-536	HLK-536 3PIN*80A(Power)+6PIN*5A(Signal) Female	1PCS

THE INFORMATION CONTAINED HEREIN IS PROPRIETARY TO HONLIX. ANY USE OR DISCLOSURE OF THIS INFORMATION, EXCEPT FOR THE EXCLUSIVE BENEFIT OF HONLIX IS PROHIBITED.