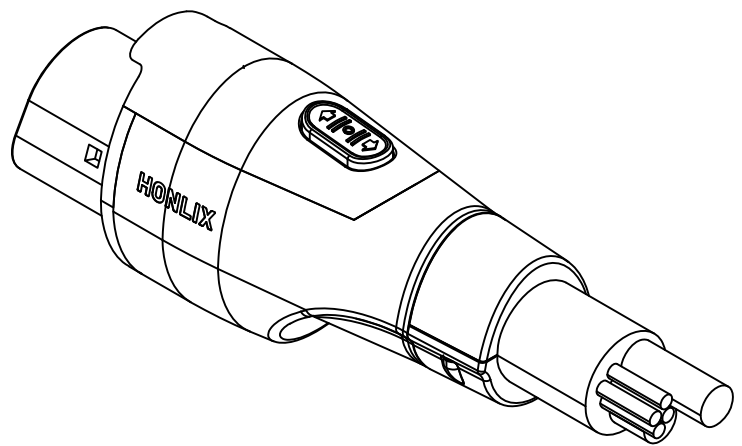
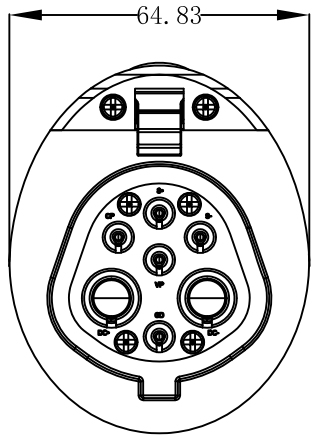
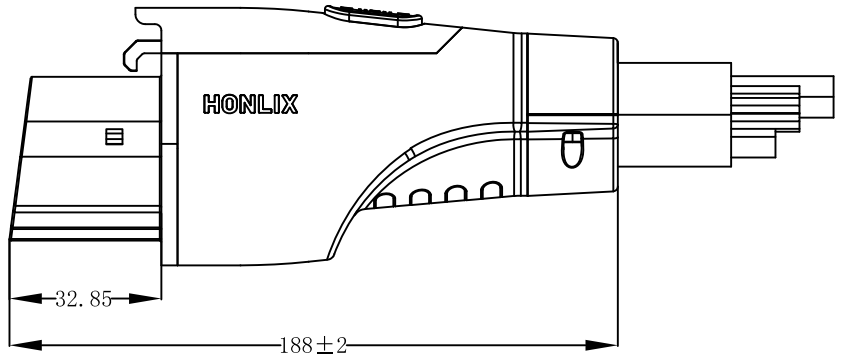


C/N:HLK P/C:HLK-533 P/N:HLK-533 CUSTOMER REV: APPROVED BY:

REVISIONS			
REV.	DESCRIPTION	DATE	SIGNATURE
△A			
△B			
△C			



SPECIFICATION	
Rated Operating Voltage	DC 120V
Rated Current	5PIN*2A 2PIN*16A/20A/50A/70A/100A/150A/180A
Peak Current	N/A
Insulation Resistance	500MΩ/120V DC
Withstand Voltage/AC	2500V Power/1500VSignal
Durability	5000 Cycles
IP Rating	Mated:IP55 Unmated:N/A
Salt Spray	5% NaCl, 48H
Flame Class	UL94 V-0 (Material)
Operating Temperature	-40℃~105℃
UV Resistance Grade	N/A
Mating Part No	HLK-534
Maximum Cable Range	OD≤32mm

TERMS OF BUSINESS	
MOQ	1PCS
Lead Time	1-2 Weeks
HS Code	8544422100
Warrenty	1 Year
Terms of Payment	T/T 100%
Terms of Shipment	EX Works

UNMARED TOLERANCE DEFINATION	
0~5	±0.2
5~15	±0.3
15~30	±0.5
30~100	±0.8
100~300	±1.0
300~1000	±1.2

SIGNATURE	
ENGINEER BY:	Li NingNing
MANAGER BY:	John Han
CHECKED BY:	David Wang
SEALES BY:	Eleven Wang

HONLIX® HONLIX INC.
HTTP://WWW.HONLIX.COM

PRODUCT NO:HLK-533 DATE: 2024.11.19

UNIT: mm SHEET: 1 OF 1 REV. 0

H/C: HLK-533

NO.	ITEM	DESCRIPTION	QTY
①	HLK-533	HLK-533 2+5PIN Charging Gun IEC62196-6/IS17017_2_6	1PCS

THE INFORMATION CONTAINED HEREIN IS PROPRIETARY TO HONLIX. ANY USE OR DISCLOSURE OF THIS INFORMATION, EXCEPT FOR THE EXCLUSIVE BENEFIT OF HONLIX IS PROHIBITED.