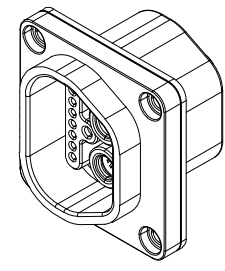
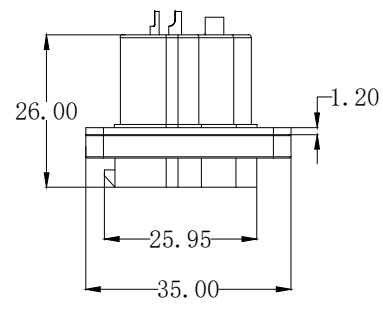


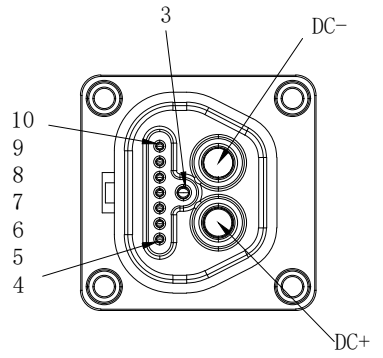
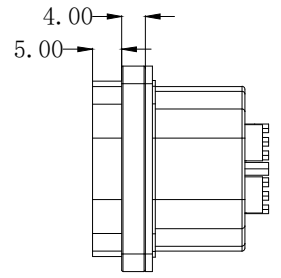
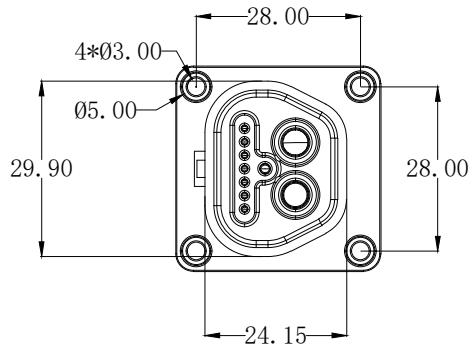
C/N: HLK	P/C:	P/N:	CUSTOMER REV:	APPROVED BY:
----------	------	------	---------------	--------------

REVISIONS			
REV.	DESCRIPTION	DATE	SIGANTURE
△A			
△B			
△C			




**NOTS:**

1. Plastic material: PA66+30%GF Black UL94-V0  
塑胶材质: PA66+30%GF 黑色 UL94-V0
2. Power terminal: Ø4.0 material: copper  
电源端子: Ø4.0 材质: 黄铜
3. Rated current: Power: 50A Signal: 2A  
额定电流: 电源: 50A 信号: 2A
4. Mechanical operation: ≥5000 cycles  
插拔寿命: ≥5000 次
5. Degree of protection: IP67  
防护等级: IP67
6. Suitable wire: Power: 8~10AWG Signal: 22AWG  
适配线材 电源: 8~10AWG 信号: 22AWG
7. Pull out force: 5~10KG.  
与公头保持力 5~10KG.



未注明公差指定 (单位: mm)	
0~5	±0.2
5~15	±0.3
15~30	±0.5
30~100	±0.8
100~300	±1.0
300~1000	±1.2

1	HLK-526-2	50A 2+1+7PIN Female socket black, Approval:	1PCS
NO.	ITEM	DESCRIPTION	QTY

SIGNATURE		 HONLIX INC. HTTP://WWW.HONLIX.COM	
ENGINEER BY:			
MANAGER BY:		PRODUCT NO: HLK-XXX	DATE: 2024.08.15
CHECKED BY:		UNIT: mm	SHEET: 1 OF 1
SEALS BY:		H/C: HLK-526-2	
			REV. 0