

C/N: HLK P/C: P/N:HLK-515-1 2+5PIN MALE

CUSTOMER REV: APPROVED BY:

REVISIONS			
REV.	DESCRIPTION	DATE	SIGNATURE
△A			
△B			
△C			

NOTS:

1. Plastic material:PA66+30%GF Black UL94-V0

Moldng:PVC Black

塑胶材质:PA66+30%GF 黑色 UL94-V0

成型料:PVC 黑色

2.Terminal:

Ø5.0*2 Material:Copper Silver plated 4~5um.

Ø1.5*5 Material:Copper Nickel plated 80~160u”

端子:

Ø5.0*2 材质:黄铜镀银4-5um

Ø1.5*5 材质:黄铜镀镍80~160u”

3. Rated current:Power:90A Signal:2A

额定电流:电源:90A 信号:2A

4. Mechanical operation:≥5000 cycles

插拔寿命: ≥5000 次

5. Degree of protection:

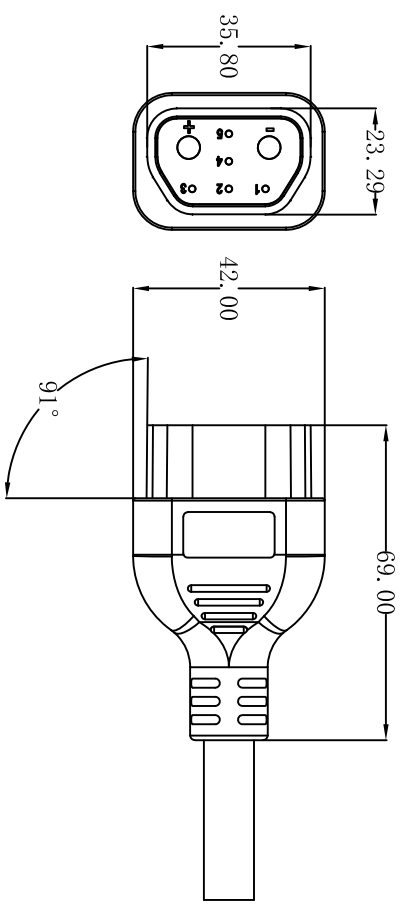
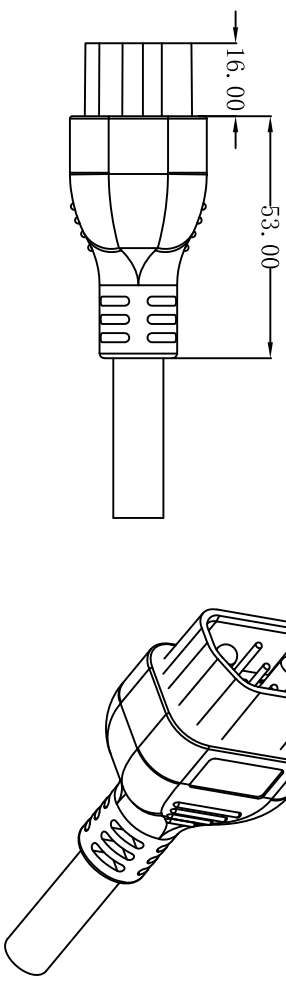
防护等级:

7. Pull out force:20~100N.

公母头保持力20~100N.

8. Ambient temperature (operation):-10~+105°C.

耐温范围:-10~+105°C.



未注明公差指定 (单位:mm)	
0~5	±0.2
5~15	±0.3
15~30	±0.5
30~100	±0.8
100~300	±1.0
300~1000	±1.2

SIGNATURE		HONLIX INC.	
ENGINEER BY:		HTTP://WWW.HONLIX.COM	
MANAGER BY:		PRODUCT NO:HLK-XXX	DATE: 2023.11.6
CHECKED BY:		UNIT: mm	SHEET: 1 OF 1
SEALS BY:		H/C: HLK-515-1	
			REV. 0