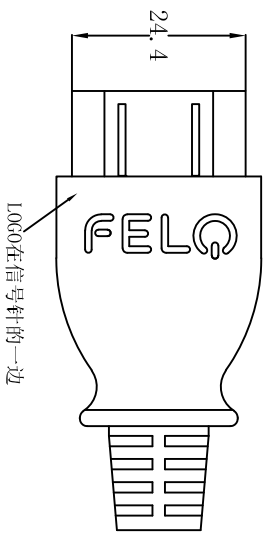
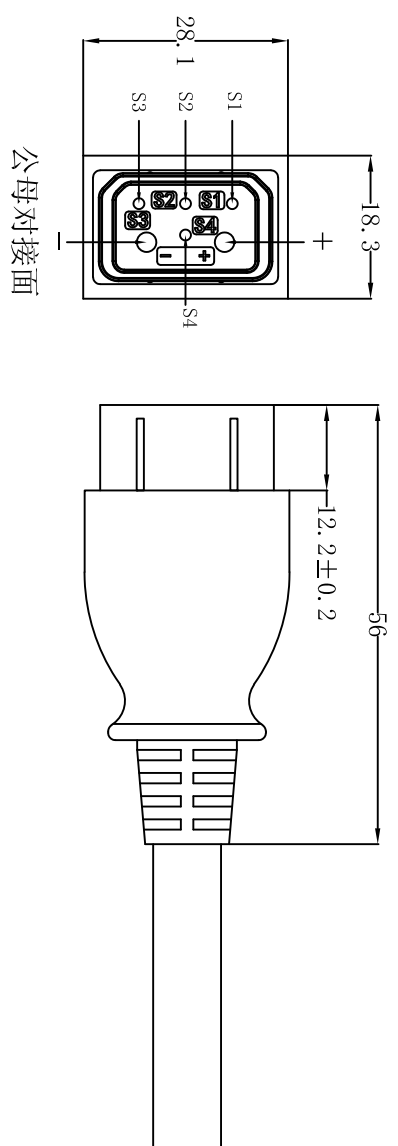


ROHS COMPLIANT

C/N: HLK P/C: P/N: HLK-503-1 2+4PIN MALE CUSTOMER REV: APPROVED BY:

REVISIONS			
REV.	DESCRIPTION	DATE	SIGNATURE
A			
B			
C			



- NOTES:
1. Plastic material: PA66+30%GF Black UL94-V0
Molding: PVC Black
塑胶材质: PA66+30%GF 黑色 UL94-V0
成型料: PVC 黑色
 2. Rated current: Power: 30A Signal: 2A
额定电流: 电源: 30A 信号: 2A
 3. Mechanical operation: ≥5000 cycles
插拔寿命: ≥5000 次

未注明公差指定 (单位:mm)	
0~5	±0.2
5~15	±0.3
15~30	±0.5
30~100	±0.8
100~300	±1.0
300~1000	±1.2

SIGNATURE			
ENGINEER BY:	Ningning Li		
MANAGER BY:	David Wang		
CHECKED BY:	John Han		
SEALES BY:	Eleven Wang		
PRODUCT NO: HLK-XXX		DATE: 2023.02.27	
UNIT: mm	SHEET: 1 OF 1	REV. 0	
H/C: HLK-503-1			

HONLIX[®] HONLIX INC.
HTTP://WWW.HONLIX.COM

THE INFORMATION CONTAINED HEREIN IS PROPRIETARY TO HONLIX. ANY USE OR DISCLOSURE OF THIS INFORMATION, EXCEPT FOR THE EXCLUSIVE BENEFIT OF HONLIX IS PROHIBITED.